



DYNATRON CORPORATION

NEW PRODUCT SPEC SHEET

Model Number : T180

- Recommend for Intel® Mini-ITX Desktop Boards including DG45FC and DQ45EK
- Active Cooler for Mini-ITX Form Factor 1U Rack-Mount Case
- For Intel® Core™ 2 Duo, Core™ 2 Quad,
- For Socket LGA775

Overall Specification:

- Dimension: 83.0mm x 81.0mm x 27.8mm
- Weight: 250g ±5g
- Material: Aluminum Heat Sink with Skiving Fins
- 8015 Blower with PWM function
- Support CPU power up to 65Watts
- Orientation Tunable to avoid components interference
- Plastic Push-Pin Mounting to avoid back end board component interference

Blower Specification:

- Dimension: 80 x 80 x 15 mm
- Rated Speed:
 - At Duty Cycle 0~20%: 1200± 150 RPM
 - At Duty Cycle 50%: 1700± 10%RPM
 - At Duty Cycle 100%: 3000± 10%RPM
- Bearing: Double Ball Bearing
- Rated Voltage: 12V
- Power:
 - At Duty Cycle 0~20%: 0.96 W
 - At Duty Cycle 50%: 1.20 W
 - At Duty Cycle 100%: 5.04 W

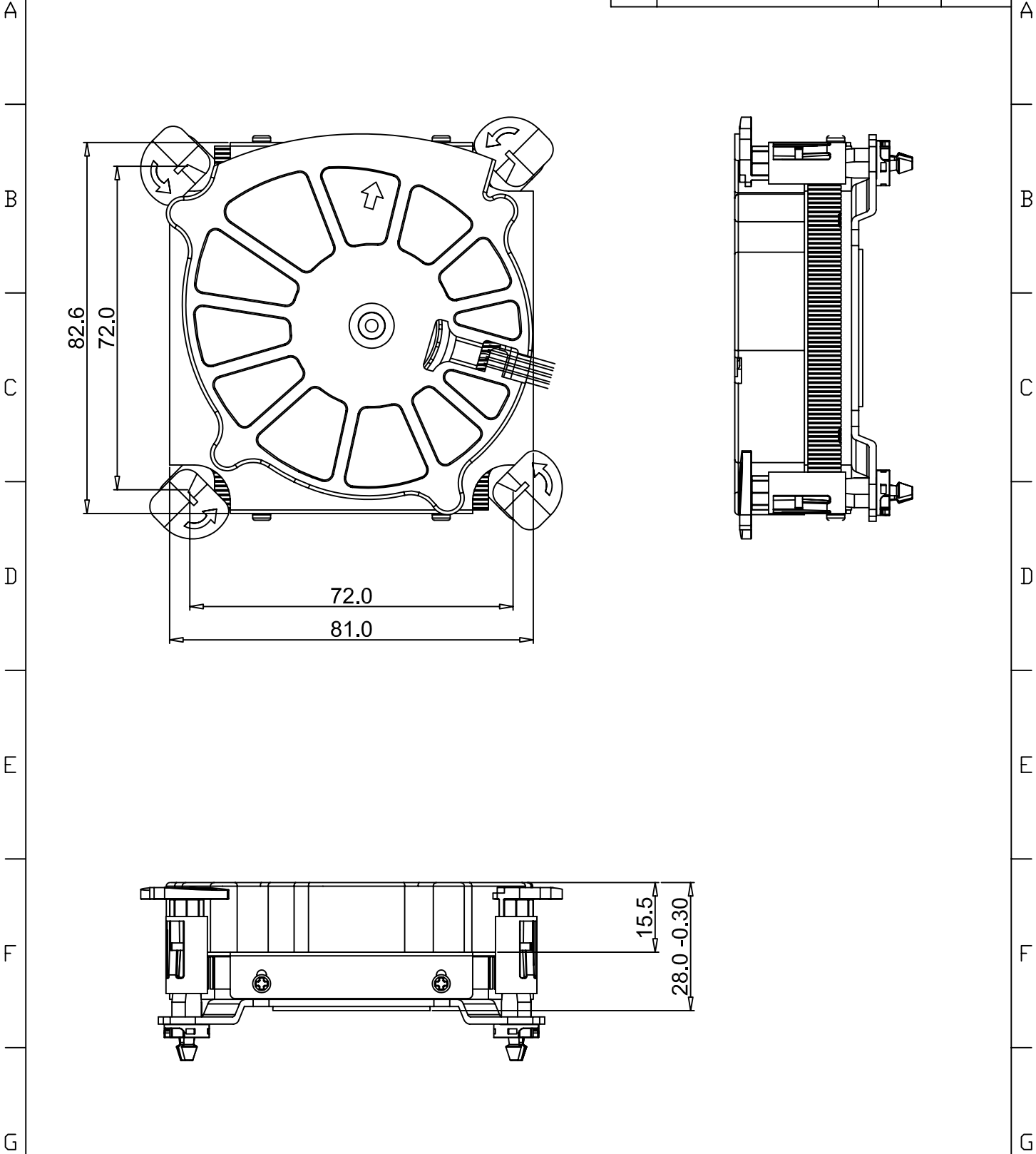
- Maximum Airflow:
 - At Duty Cycle 0~20%: 3.6 CFM
 - At Duty Cycle 50%: 5.1 CFM
 - At Duty Cycle 100%: 9.0 CFM

- Acoustical Noise:
 - At Duty Cycle 0~20%: 18.8 dBA
 - At Duty Cycle 50%: 26.3 dBA
 - At Duty Cycle 100%: 38.7 dBA

- Static Air Pressure
 - At Duty Cycle 0~20%: 0.083 inch-H2O
 - At Duty Cycle 50%: 0.167 inch-H2O
 - At Duty Cycle 100%: 0.52 inch-H2O

- Lead Wire Pin Out:
 - Pin#1-Black(-)
 - Pin#2- Yellow(+)
 - Pin#3- Green(Tachometer/ Signal Output)
 - Pin#4- Blue (PWM)

ITEM#	DESCRIPTION	CHECKER	DATE
1	INITIAL RELEASE	LANG	04/21/2009



	NAME	DATE
DRAWN BY	-	04/21/2009
CHECKED BY	LANG	04/21/2009
ENG. APPROVED		
MFG. APPROVED	-	-
Q.A.	-	-



DYNATRON CORPORATION
DYNAEON INDUSTRIAL CO., LTD.

TITLE: **1U Active Cooler T180**
Overall Dimension Drawing

THIS DRAWING CONTAINS INFORMATION PROPRIETARY TO DYNATRON CORPORATION AND DYNAEON INDUSTRIAL CO., LTD. ANY REPRODUCTION, DISCLOSURE, OR USE OF THIS DRAWING IS EXPRESSLY PROHIBITED EXCEPT AS DYNATRON CORPORATION AND DYNAEON INDUSTRIAL CO., LTD. MAY OTHERWISE AGREE TO IN WRITING.

VIEW	
UNITS	MM

DWG. No: **DYN-DM-T180**

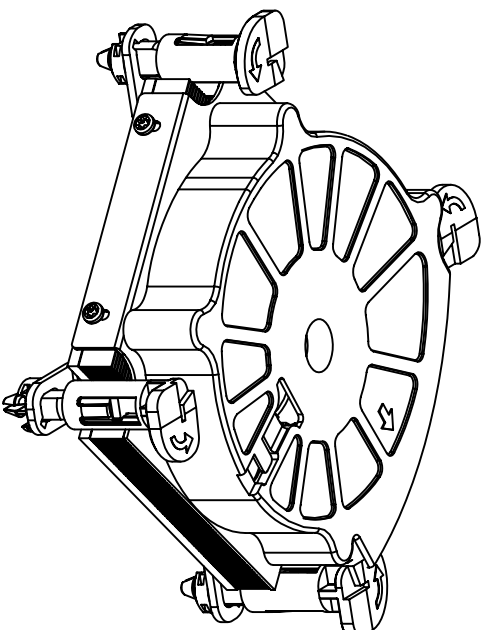
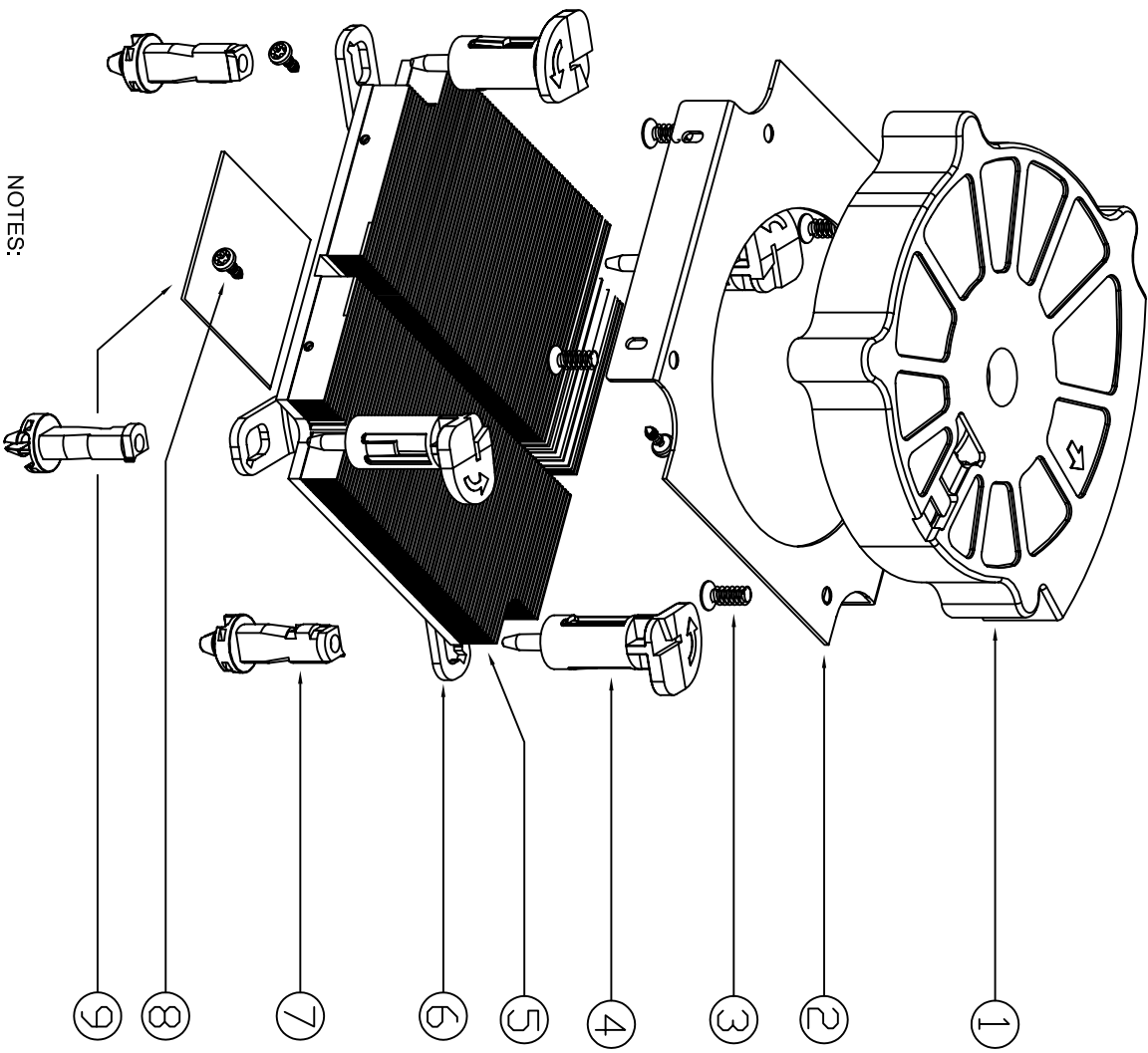
REV. **00**

CONFIDENTIAL DOCUMENT

THIS DRAWING CONTAINS INFORMATION PROPRIETARY TO DYNATRON CORPORATION AND DYNAMED INDUSTRIAL CO., LTD. ANY REPRODUCTION, DISCLOSURE, OR USE OF THIS DRAWING IS EXPRESSLY PROHIBITED EXCEPT AS DYNATRON CORPORATION AND DYNAMED INDUSTRIAL CO., LTD. MAY OTHERWISE AGREE TO IN WRITING.

ASSEMBLY PARTS

WHOLE SET OF COOLER



- NOTES:
1. THE FIGURE IS FOR REFERENCE ONLY, AND NOT FOR SCALE
 2. OVERALL DIMENSION: 82.6mm x 81.0mm x 27.8mm
 3. HEATSINK DIMENSION: 81.0mm x 81.0mm x 11.5mm
 4. OVERALL WEIGHT: 250g

ITEM#	DESCRIPTION	CHECKER	DATE
01	INITIAL RELEASE	LANG	04/21/2009

9	THERMAL GREASE, PRE-PRINTED	TIG830SP	1
8	SCREW, COVER	STEEL	4
7	CLIP, NATURAL WHITE	PLASTIC	4
6	RETENTION, HEATSINK	STEEL	1
5	HEATSINK	ALUMINUM	1
4	CLIP, BLACK	PLASTIC	4
3	SCREW, BLOWER	STEEL	4
2	COVER, BLOWER	ALUMINUM	1
1	BLOWER, 8015 w/PWM FUNCTION	PLASTIC	1

ITEM NO.	DESCRIPTION	MATERIAL	QTY.
1	BLOWER, 8015 w/PWM FUNCTION	PLASTIC	1

DATE	NAME	TITLE:
04/21/2009	Eng'r	1U Active Cooler T180
04/21/2009	LANG	Exploded Assembly Drawing

DYNATRON CORPORATION	
DWG. No:	DYN-EP-T180
REV	00