

Features

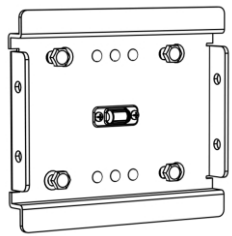
- Quick Installation
- Fits most flat panel displays up to 32"
- Maximum Loading Capacity: 30 Kg or 66 pounds
- 2 inch or 50 mm lateral shift
- Built-in level
- Lockable



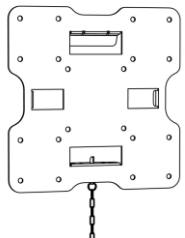
WARNING

- Please read through these installation instructions carefully before proceeding with the installation.
- Ensure that the wall is capable to support the total weight of the mounted equipments.
- Do not exceed the Maximum Loading Capacity specified above.
- If this product is mounted on a wood wall, ensure that the mounting holes are located to the center of the studs. Use of a stud finder is highly suggested.
- Always have two people lift the display for safety.

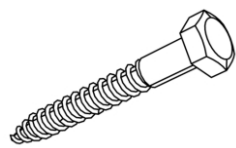
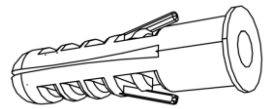
1 Physical Descriptions



Wall Plate x 1



Display Brackets x 1

M8*60 Self-tapping
Screw x 4φ 10*50 Plastic
Anchor x 4

8 mm Washer x 4

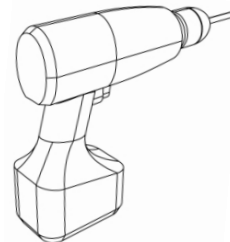


M6*20 Screw x 4



Lock Extension x 1 (optional)

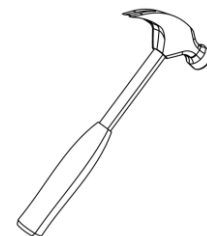
2 Tools Required



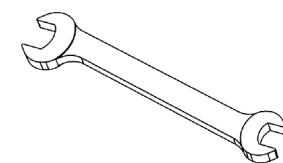
Electric Drill

4 mm or
5/32" Wood Drill Bit

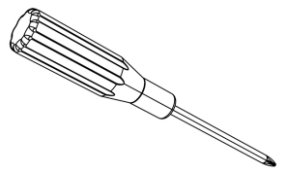
10 mm Concrete Drill Bit



Hammer



Open End Wrench



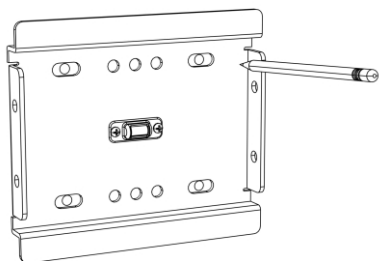
Phillips Screw Driver



Stud Finder (for Wood Wall)

3 Mark Holes on Wall

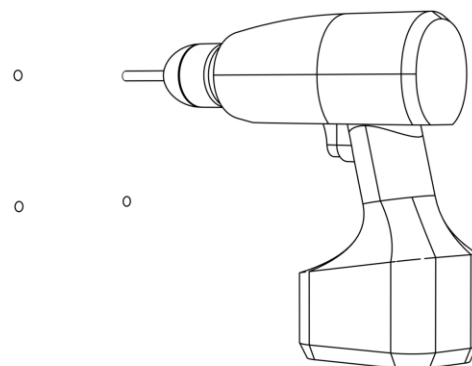
Mark an array of holes which are 100 mm apart horizontally and 90 mm apart vertically. Ensure the holes are anchored on the center of the studs, if mounting to wood wall. The use of a stud finder is highly suggested.



If mounting to wood wall, ensure the holes will be anchored on the center of the studs using a stud finder. If necessary, the holes may be located through the holes in the middle of the wall plate.

4.a for Wood Wall Drill Holes

Drill the holes to a minimum depth of 20 mm or 0.8 inches using a 10 mm concrete drill bit for concrete wall.

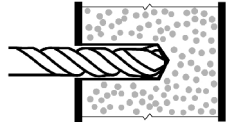
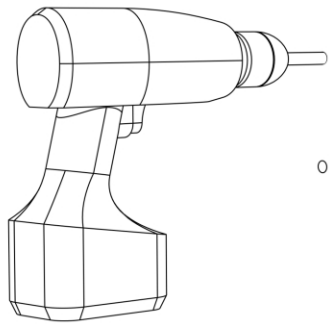


4 mm or 5/32" wood drill bit

4.b for Concrete Wall

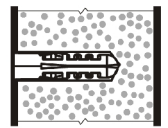
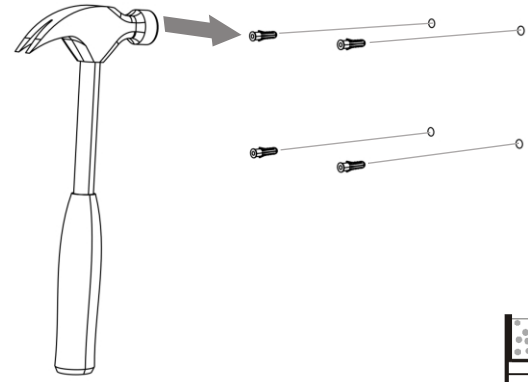
Drill Holes and Place Plastic Anchors

Drill the holes to a minimum depth of 60 mm or 2.4 inches using a 10 mm concrete drill bit for concrete wall.



10 mm concrete drill bit

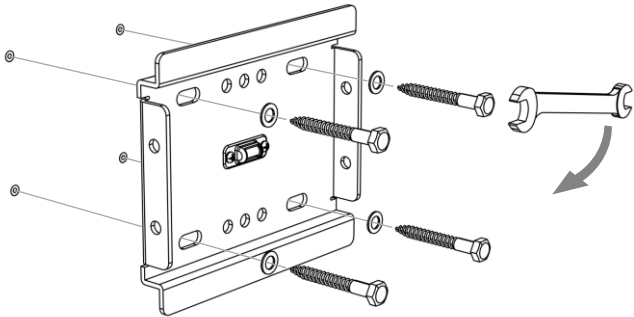
Place the plastic anchors into the holes using a hammer. No plastic anchor is required for mounting on wood wall. Skip to Step 5.



plastic anchor

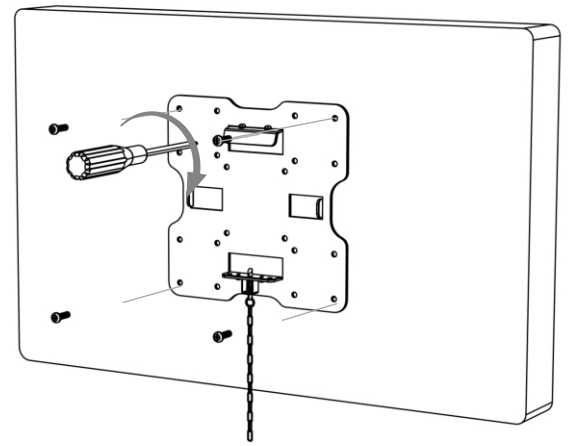
5 Attach Wall Plate to Wall

Turn screws through the wall plates into the wall with 8mm washers using an open end wrench. Tighten the screws firmly, but do not overtighten them.



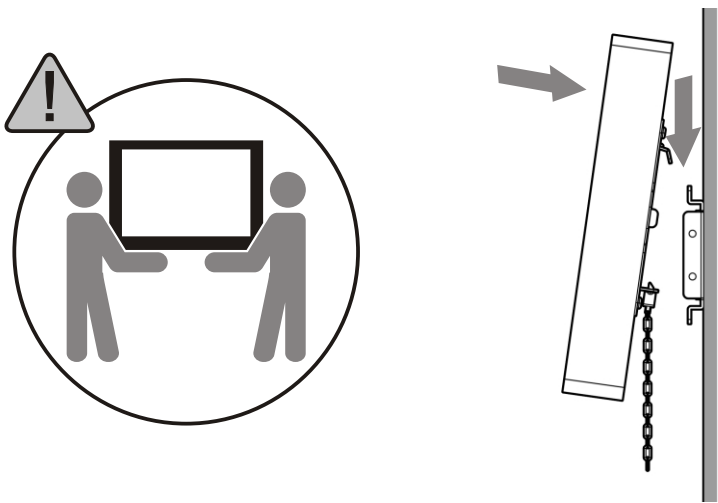
6 Attach Display Bracket to Display

Attach the display bracket to the back of the display using M6*20 screws.



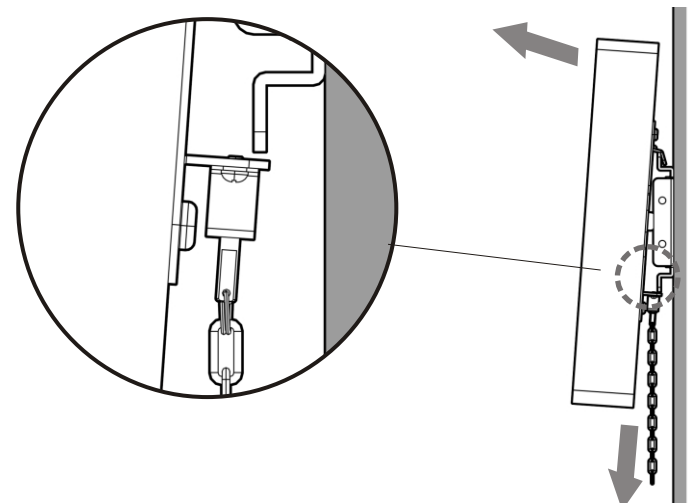
7 Hook Display Bracket onto Wall Plate

Have two people hook the display bracket onto the wall plate. Always have two people lift the display for safety.



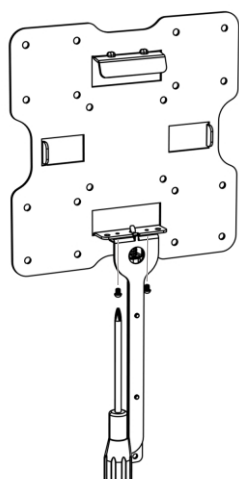
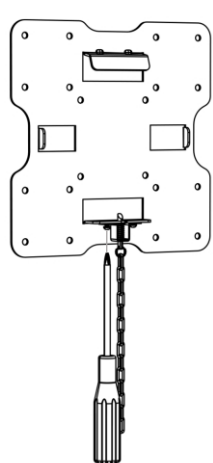
8 Pull Strap to Unmount Display

Pull the strap downward and pull the bottom of the display outward to release the display bracket. The display now can be unmounted. Always have two people unmount the display.



9 Secure with Lock When Necessary

Follow the following steps to replace the strap by the lock extension.



1. Remove the strap plate by unscrewing the screws on it from the bottom.

2. Attach the lock extension by tightening the screws on it to the bottom.

