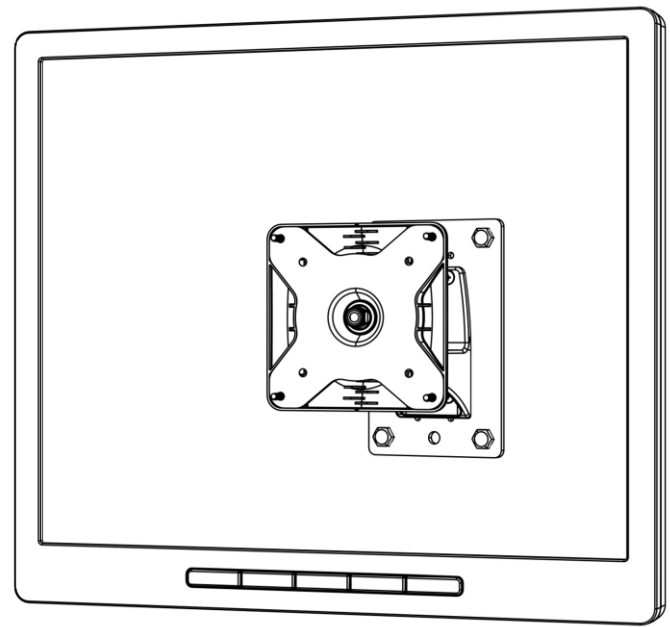


EA-114-A1 Monitor Arm

INSTALLATION INSTRUCTIONS

VERSION 1.0

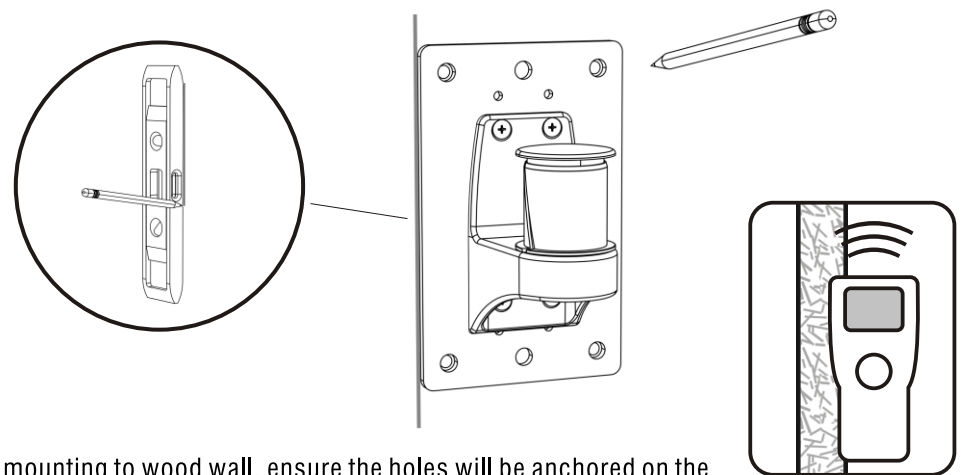


WARNING

- Please read through these installation instructions carefully before proceeding with the installation.
- Ensure that the wall is capable to support the total weight of the mounted equipments.
- Do not exceed the Maximum Loading Capacity specified above.
- If this product is mounted on a wood wall, ensure that the mounting holes are located to the center of the studs. Use of a stud finder is highly suggested.
- Always have two people lift the display for safety.

1 Mark Holes

Draw a vertical line on the wall using a level. Align the wall plate along the line. Mark through the holes of the wall plate.

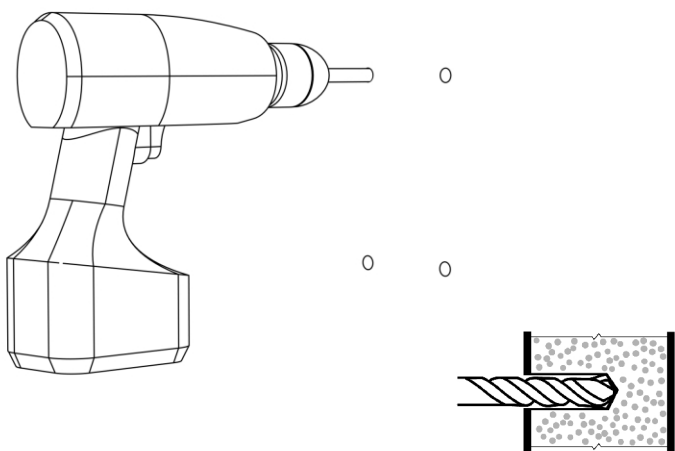


If mounting to wood wall, ensure the holes will be anchored on the center of the studs using a stud finder. If necessary, the holes may be located through the holes in the middle of the wall plates.

2.a for Concrete Wall

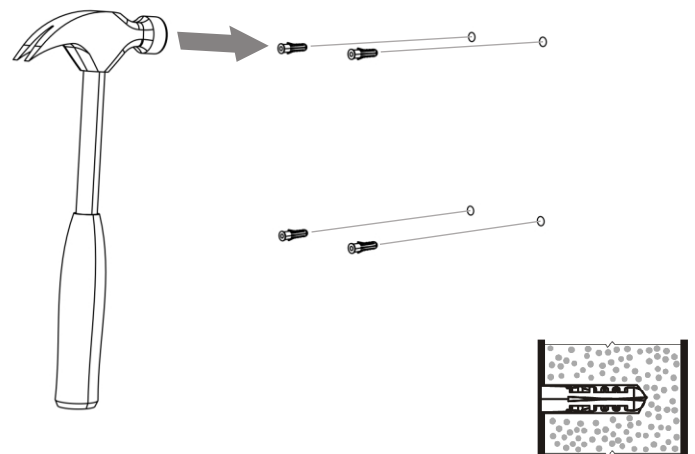
Drill Holes and Place Plastic Anchors

Drill the holes into the wall to a minimum depth of 60 mm or 2.4 inches using a 10 mm concrete drill bit for concrete wall.



10 mm concrete drill bit

Place the plastic anchors into the holes using a hammer. No plastic anchor is required for mounting on wood wall. Skip to Step 3.

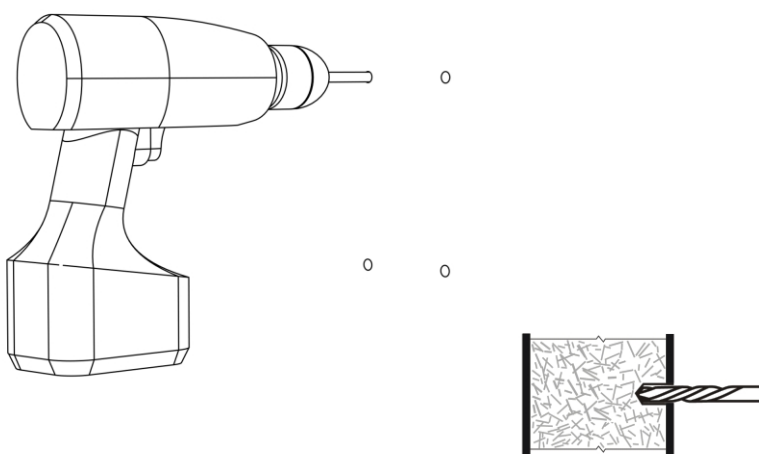


plastic anchor

2.b for Wood Wall

Drill Holes

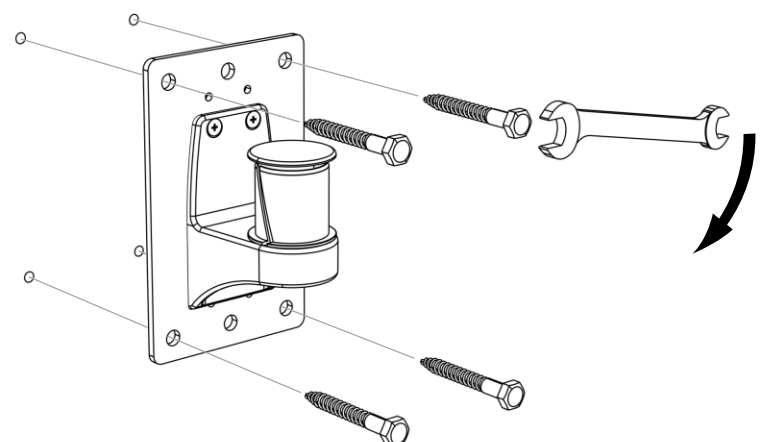
Drill the holes into the wall to a minimum depth of 20 mm or 0.8 inches using a 4 mm or 5/32" wood drill bit for wood wall. Skip to Step 3.



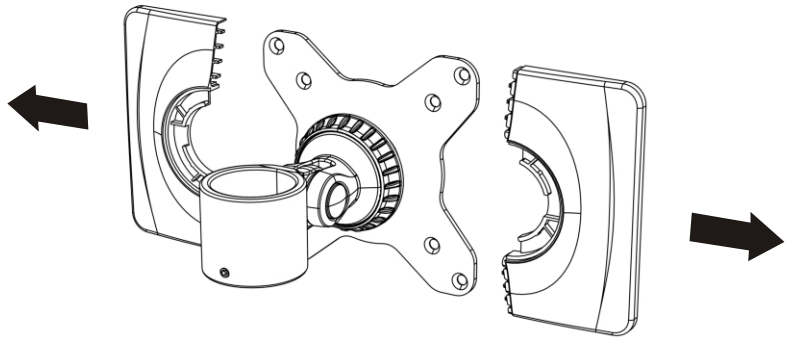
4 mm or 5/32" wood drill bit

3 Attach Wall Plate to Wall

Turn screws through the wall plate into the wall with 8mm washers using an open end wrench. Tighten the screws firmly, but do not overtighten them.

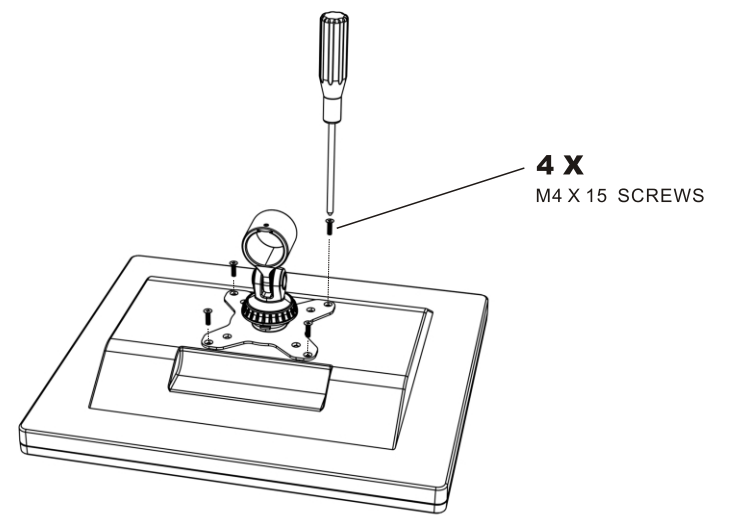


4 Remove VESA Plate Covers

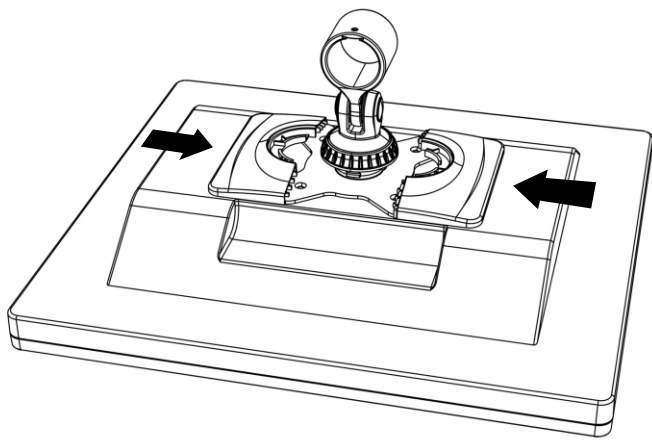


5 Attach VESA Plate To LCD Monitor

Using a Philips screw driver, attach the VESA plate to the back of your LCD monitor.

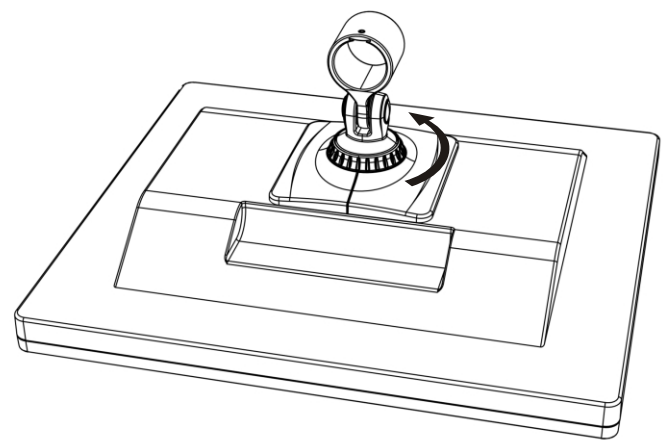


6 Insert VESA Plate Covers Back



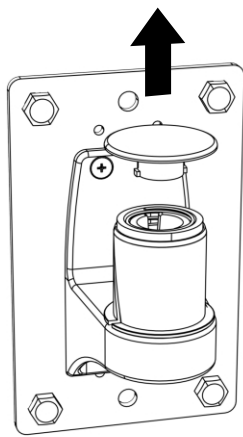
7 Lock VESA Plate Covers

Turn the knob next to the VESA plate counter-clockwise to lock the VESA plate covers.

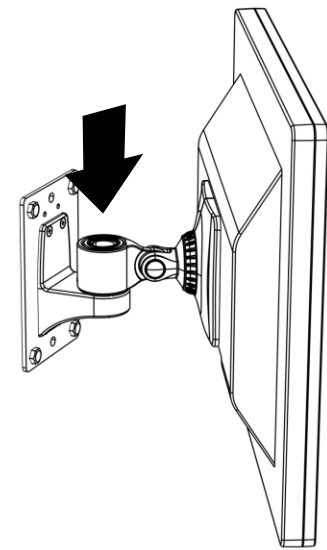


8 Remove Wall Plate Cover

Push down the cover on the wall plate and turn 90 degree in either direction. The cover will pop out.

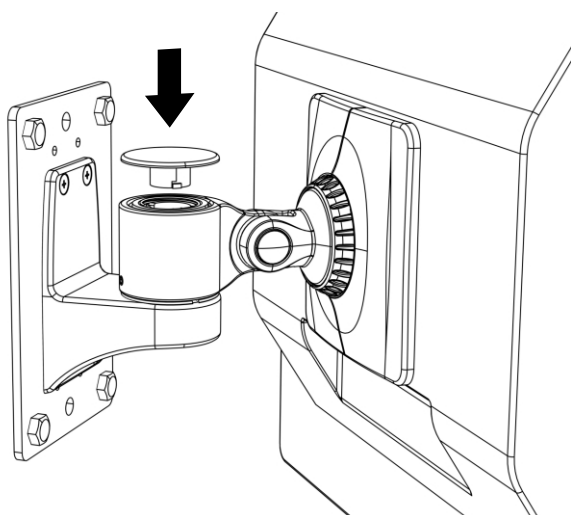


9 Attach VESA Plate To Wall Plate



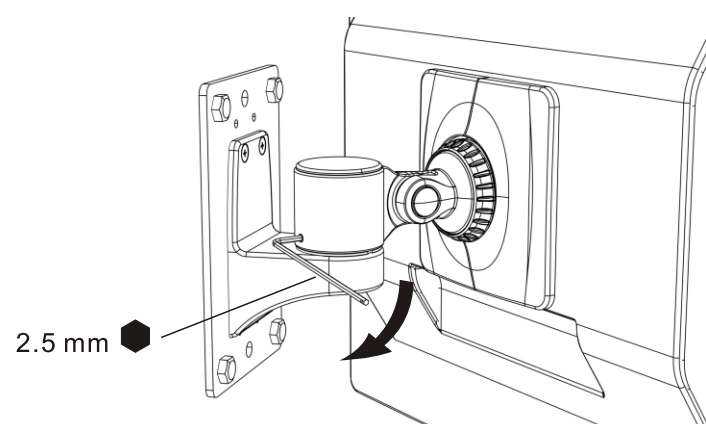
10 Insert Wall Plate Cover Back

Insert the cover into the wall plate and turn 90 degree in either direction.



11 Set Friction

Loose or tighten the hex bolt on the extension to set the desired friction with the 2.5 mm hex key wrench provided.



The assembly is now completed.