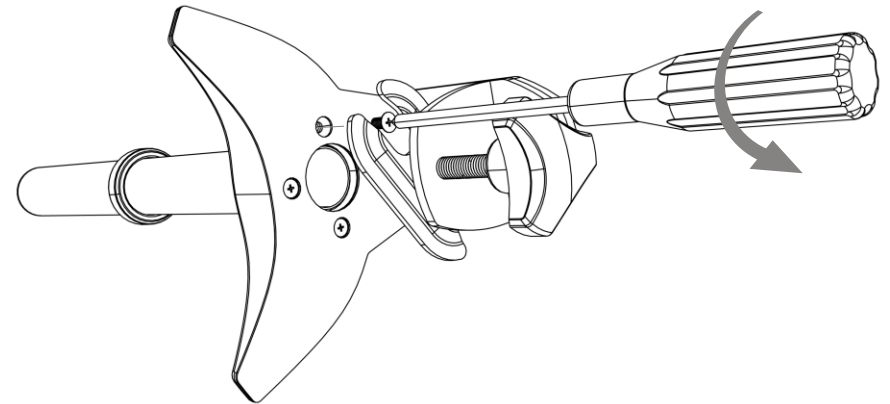


Change Edge Clamp to Grommet Mount

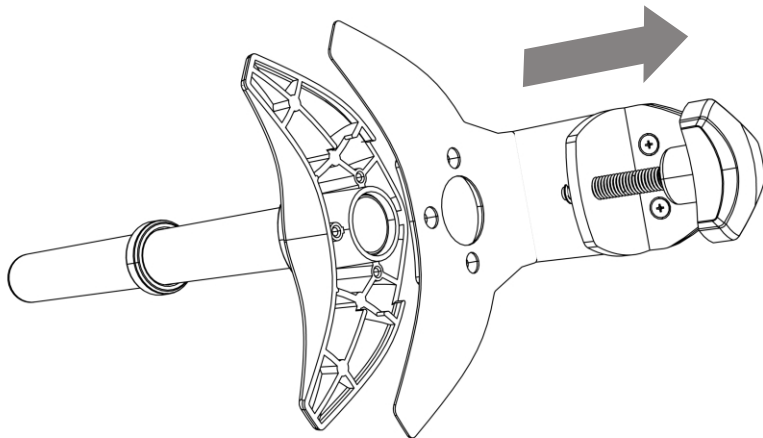
VERSION 1.0

1 Remove Screws from Base

Removed the screws from the base using a Phillips screw driver.

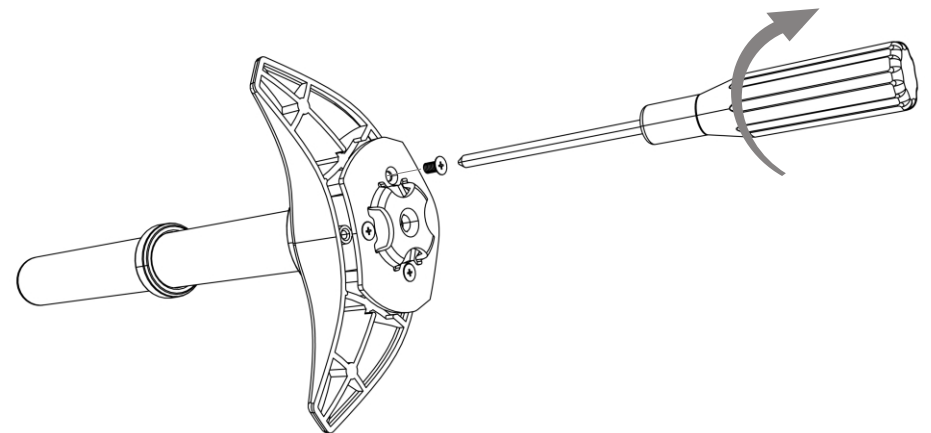


2 Remove Edge Clamp Bracket from Base

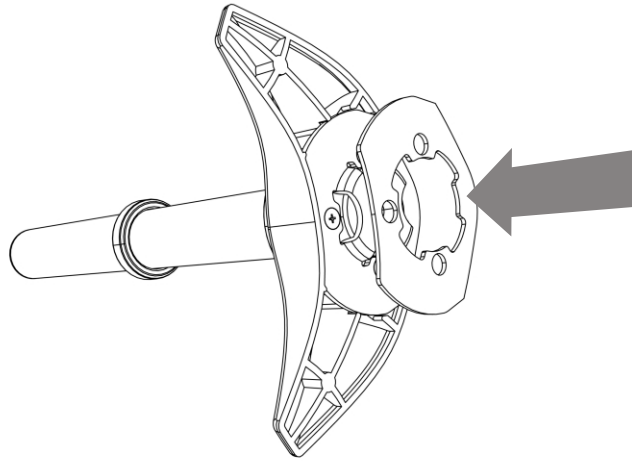


3 Attach Grommet Mount Bracket

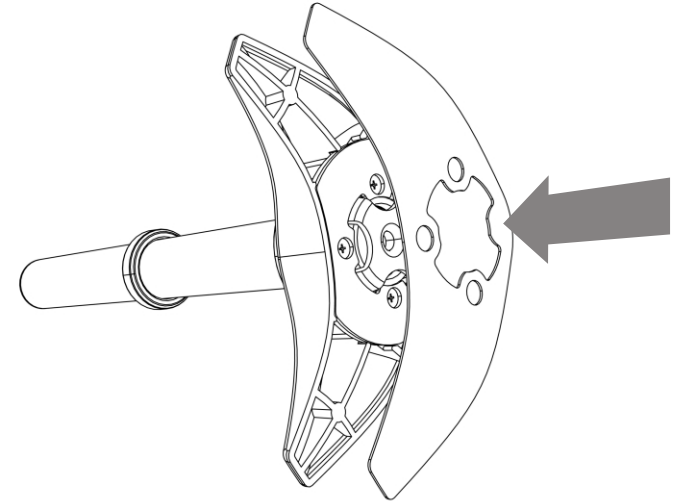
Attach the grommet mount to the base with the screws left from Step 1 using a Phillips screw driver.



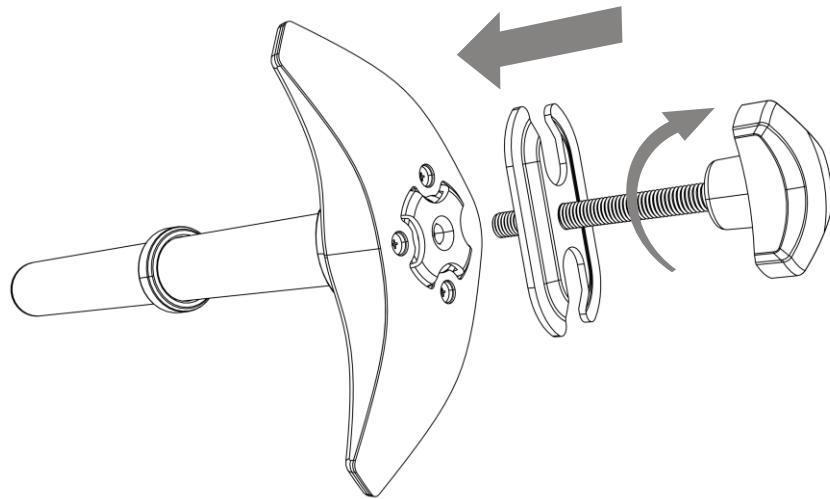
4 *Attach Gasket*



5 *Attach Rubber Pad*



6 *Attach Knobbed Bolt and Steel Plate*



7 *Attach Pole to Desk*

Attach the pole through the hole on the desk turning the knobbed bolt tight.

