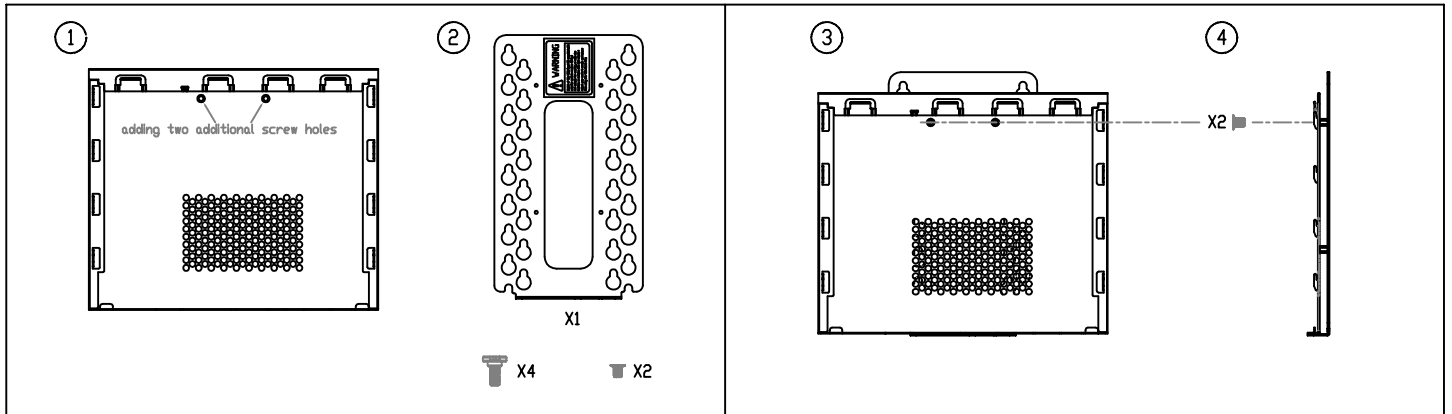
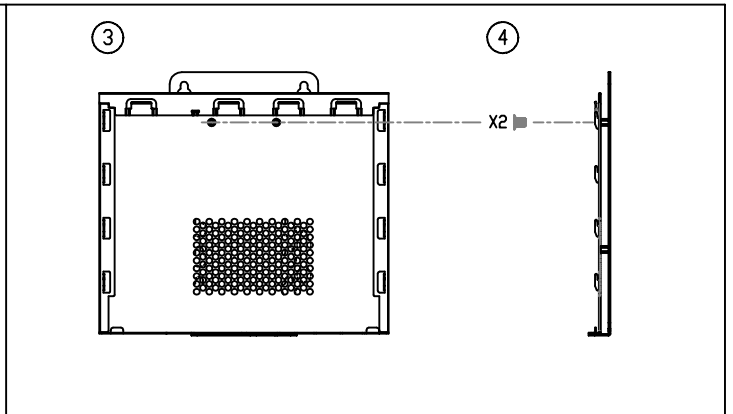


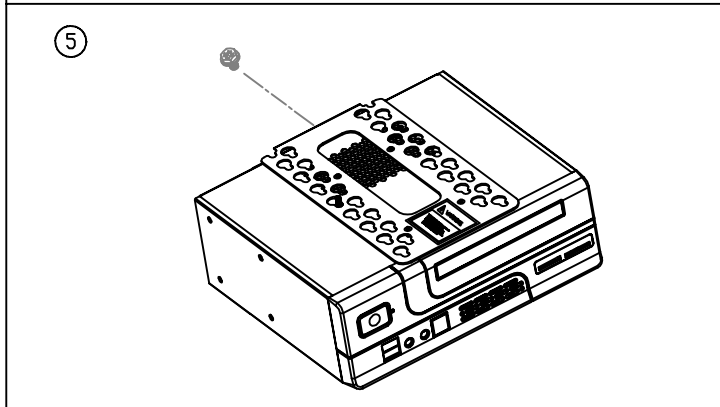
VESA MOUNT USER MANUAL



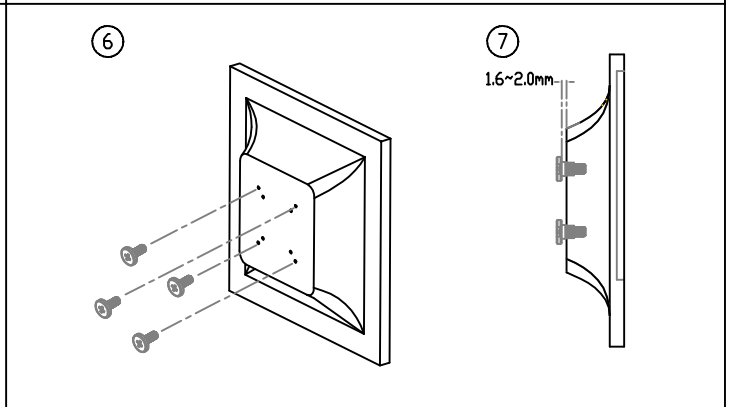
(1) Adding two additional screw holes (Int. dia. 4mm) on top cover.
 (2) Accessories : <Mounting Bracket*1 pcs> <M4*L10 Shoulder Screw*4 pcs>
 <6#-32*L6 Flat Head Screw*2 pcs>.



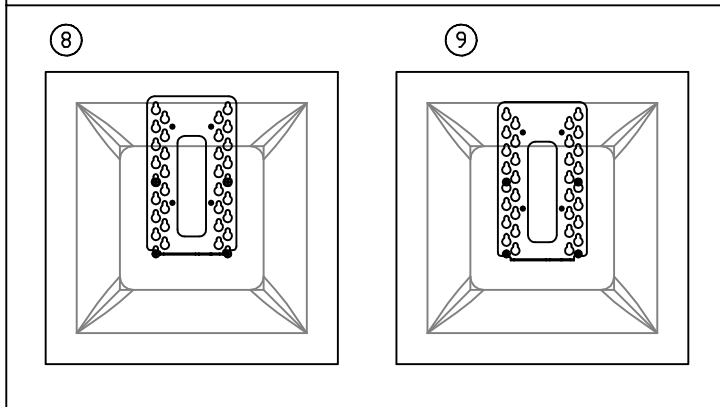
(3) Placing the bracket underneath the top cover (Interior side facing up); the side with bend of the bracket facing upward as well.
 (4) Fastening the bracket to the top cover with two 6#-32*L6 screws



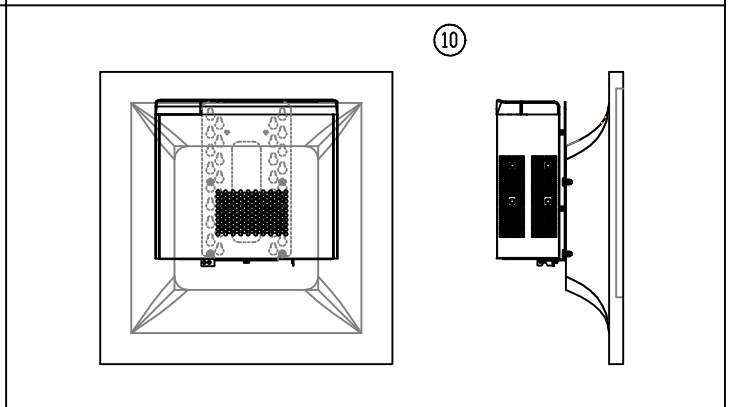
(5) Fastening the mounting bracket with top cover < as assembled in (4) > to the chassis.



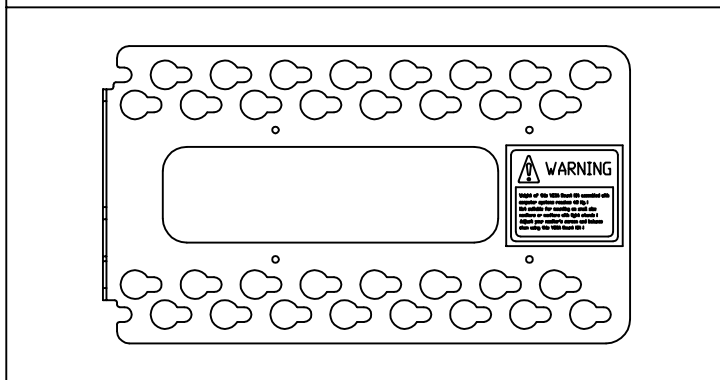
(6) Fastening 4 shoulder screws to the vesa holes at the back of LCD.
 (7) Pls take note that there shall be at least 1.6mm~2.0mm gap bet. the panel and the shoulder of the screw for the bracket to fit in properly.



(8) Pls place the screws over the larger holes on the bracket and move downward to the smaller holes to station the bracket.
 (9) The height of the chassis is adjustable by adjusting the position of the multiple calabash holes on the bracket.



(10) Pls mount the bracket to the shoulder screws fastened on the monitor (placing the screws inside of the calabash shape holes). Pls make sure that the weight of the chassis shall not make the monitor tilted.



Warning !

Weight of this VESA Mount Kit assembled with computer systems reaches 4.5 Kg !

Not suitable for mounting on small size monitors or monitors with light stands !

Adjust your monitor's screen and balance when using this VESA Mount Kit !